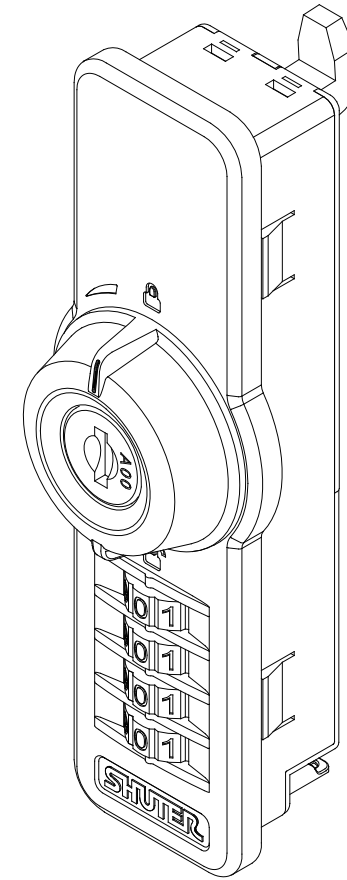


DU 密碼鎖操作說明書

Digital Lock Operation Instruction



www.shuter.com.tw ✉ gmservice@shuter.com.tw
☎ 0800-04-5588 Tel:04-23358800 Fax:04-23358577



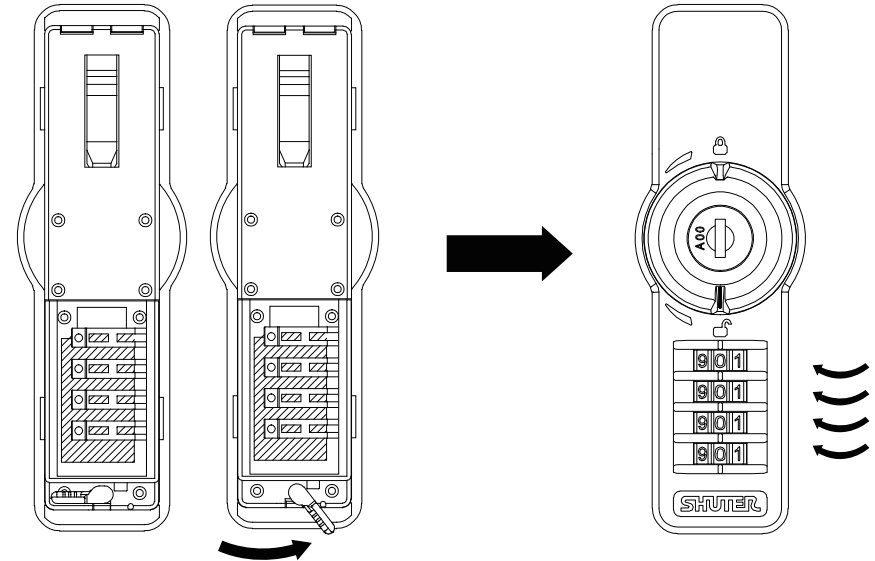
www.theshuter.com ✉ info@theshuter.com
☎ Tel:+886-4-23358800 Fax:+886-4-23358577

掃描QRcode也可線上看操作說明喔!
Scan the code to read the instruction on line



4 重新設定密碼

How to relocate the password



(1) 於開鎖後，撥動密碼鎖底部的密碼重設鍵
After unlock, switch the reset button.

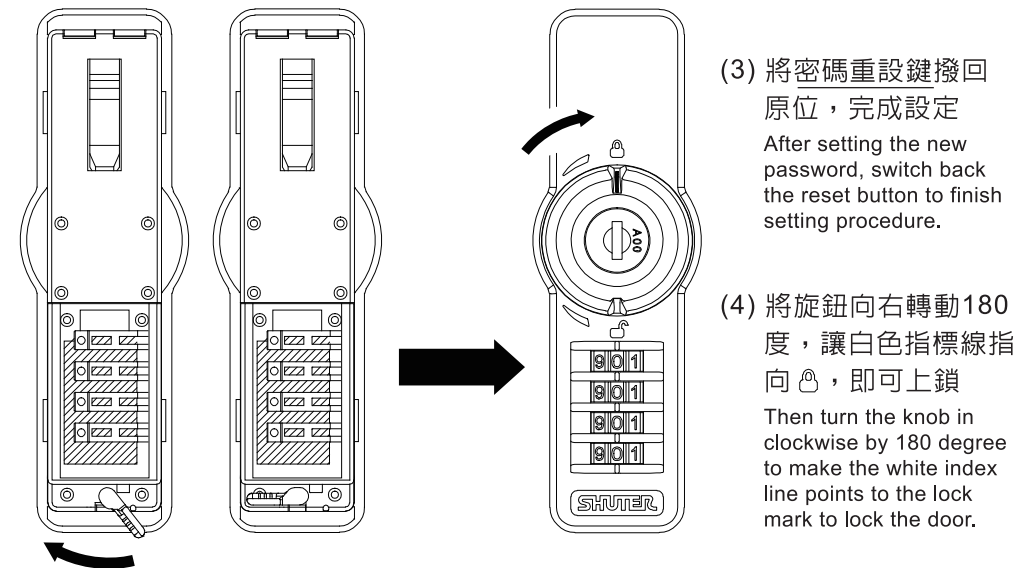
(2) 撥動數字輪設定新密碼
Rotating the number lock to reset the new password.

1. 密碼鎖說明
Digital lock operation instruction

2. 如何開鎖/使用密碼開鎖、使用鑰匙開鎖
How to unlock by using codes & master key

3. 忘記密碼時，如何尋找密碼
How to locate the codes when loosing password

4. 重新設定密碼
How to relocate the password



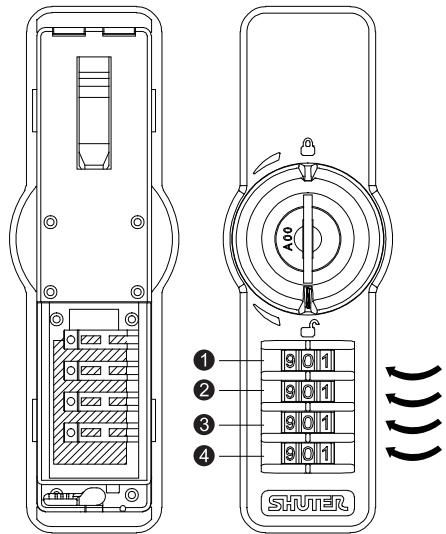
(3) 將密碼重設鍵撥回原位，完成設定
After setting the new password, switch back the reset button to finish setting procedure.

(4) 將旋鈕向右轉動180度，讓白色指標線指向🔒，即可上鎖
Then turn the knob in clockwise by 180 degree to make the white index line points to the lock mark to lock the door.

3

忘記密碼時，如何尋找密碼

How to locate the codes when loosing password



(1) 使用鑰匙開鎖後，此時鎖芯號碼位於左方(請參閱2-2)

When using the key to unlock, the white index line the lock center number will locate in the left position. (please refer to instruction 2-2)

(2) 手指壓住密碼鎖背面第四顆尋碼鈕 ④
Using fingers to press and hold the search button no. 4 on the back side.

(3) 由右往左撥動該顆數字輪，當數字卡住不動時，即找到正確號碼。

Turn the no. 4 search button from right to the left direction, when the number lock locks on so it is the correct password.

(4) 重複步驟(2) & (3)，逐一往上找尋其他三碼 ③ → ② → ①

Repeating the step (2) & (3) from the lower position to the top position to look for other 3 codes.

⚠ 撥動數字輪尋碼時，請避免觸動到其他數字輪。

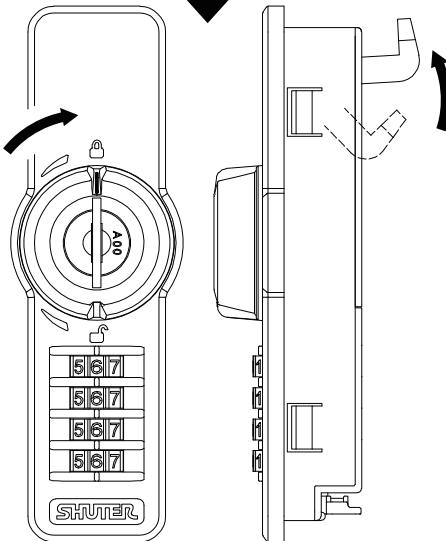
Do not rotate other codes simultaneously when tending to one.

(5) 找到正確密碼後，最後利用鑰匙上鎖，即可拔出鑰匙。

After finding the correct codes, please use the key to lock the lock first then to pull out the key after that.

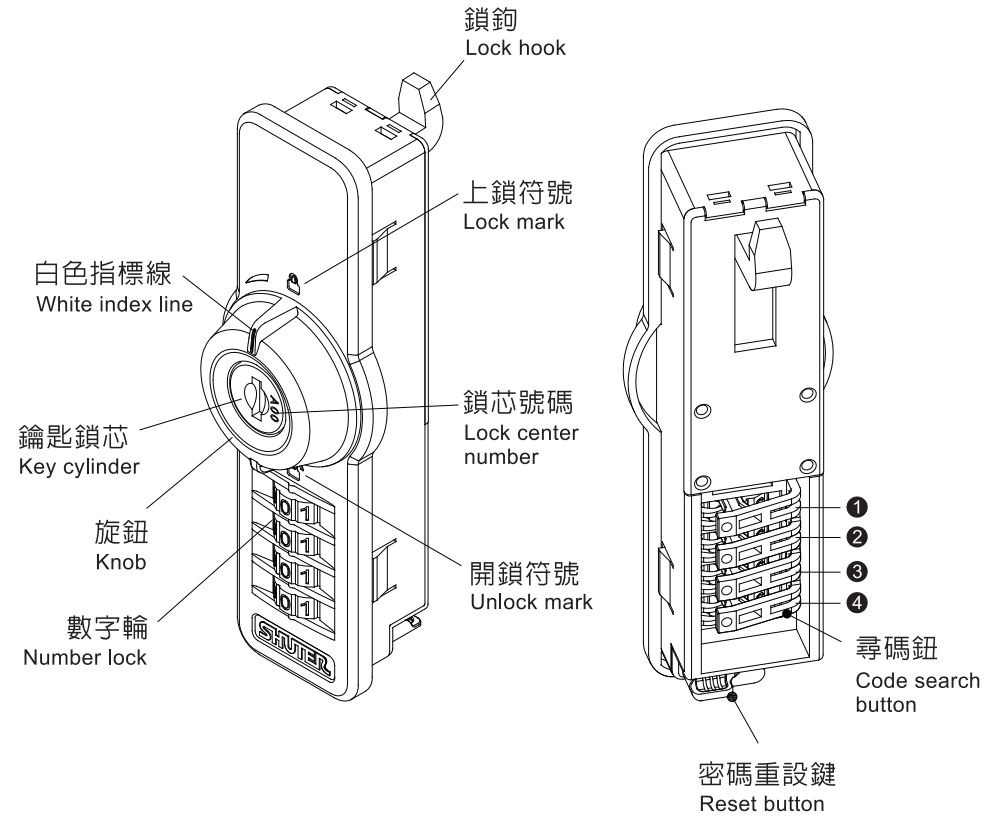
⚠ 於尋碼過程結束前，請勿將鑰匙拔出，以免鎖芯壞掉。

Do not pull out the key out before punching in the codes or key cylinder will break.



密碼鎖說明

Digital Lock Operation Instruction:



(1) 原始密碼為「0000」，購買後請參考「4 重新設定密碼」。
Original password is 0000 and 4 digital cods is required for setting up new password.

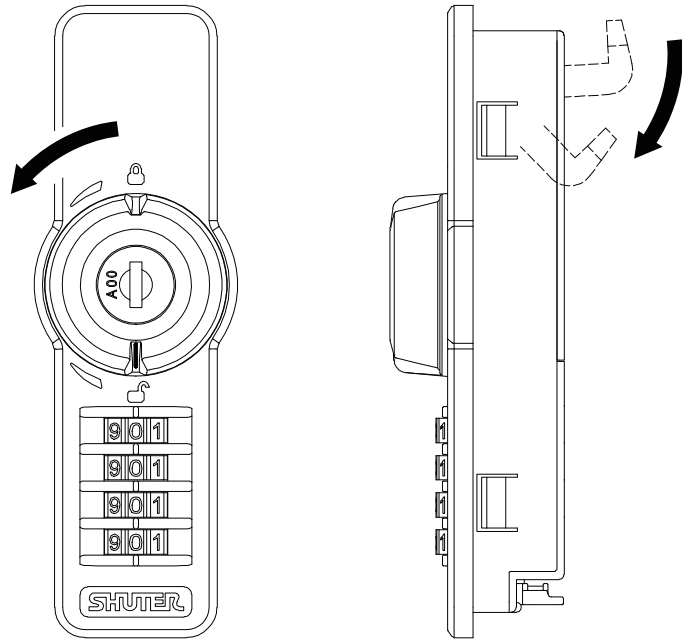
(2) 鑰匙僅提供遺失密碼時使用，請妥善保存。
若遺失鑰匙，請自行聯繫鎖匠開啓。
Master key needs to keep secure and only to be used for searching password.
When losing the key, please contact the local locksmith to open it.

(3) 密碼鎖上鎖時，旋鈕的白色指標線指向 ☺，鎖芯號碼位於右方。
When locked, the white index line will point to the lock mark then the lock center number will locate in the right position

2-1

如何開鎖 / 使用密碼開鎖

How to unlock by using codes & master key

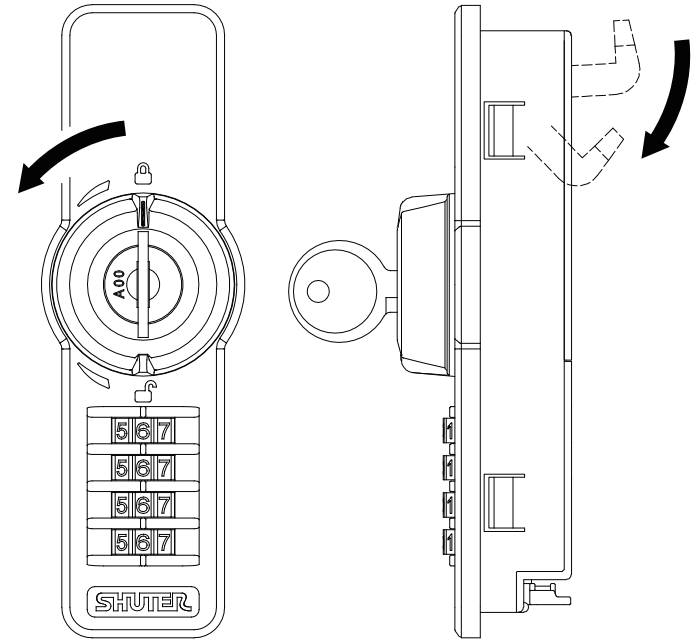


- (1) 輸入正確密碼 (轉動數字輪, 使正確密碼落在中間位置)。
Using the correct password. (turn the number lock in both clockwise or counterclockwise to make the correct password locates in the center)
- (2) 將旋鈕向左轉動180度, 讓白色指標線指向 ☞, 即可解鎖。
Then to turn the knob in counterclockwise in 180 degree to make the white index line points to the unlock mark to open the door.

2-2

如何開鎖 / 使用鑰匙開鎖

How to unlock by using codes & master key



- (1) 將鑰匙插入鎖孔。
Insert the key into the keyhole
 - (2) 向左轉動鑰匙鎖芯180度即可解鎖 (反之, 轉向原位即可上鎖)。
Using the key to turn left 180 degree to unlock. (reverse action to lock)
- ⚠ 轉動鑰匙時, 請勿動到外側旋鈕。
Do not turn the knob when operating the key
- ⚠ 解鎖後, 鑰匙會被鎖芯咬住, 此時請勿將鑰匙拔出, 以免鎖芯壞掉。
Upon unlock, the key cylinder will hold on to the key so do not pull out; otherwise, it will damage the key cylinder.